



FPGWORLD.COM

ENCORE

SERIES 8 BAIN MARIE ON-COUNTER 1200 HEATED

RANGE	ENCORE SERIES 8 BAIN MARIE	
TEMPERATURE	HEATED	
MODEL	IN-EC12-BM-08-A009	IN-EC12-BM-08-A010
FRONT	SQUARE/ TILT FRONT	SQUARE/ SLIDING DOORS
INSTALLATION	ON-COUNTER	
HEIGHT	964mm	
WIDTH	1200mm	
DEPTH	662mm	

TEMPERATURE RANGE	+55°C - +90°C
RECOMMENDED CORE PRODUCT TEMPERATURE	+65°C - +80°C
ENVIRONMENTAL TEST CONDITIONS	22°C / 65% RH

FEATURES

- High energy efficiency: 0.67 kWh per hour (average)**
- Cabinet operating temperature range +55°C - +90°C**
Recommended core product temperature +65°C - +80°C

- Smart display with double-glazed glass finished with a black trim

Tilt Front or Sliding Doors Heated Display

- One tiltable, height-adjustable stainless steel wire rack shelf is full cabinet width to support maximum display capacity
- Unique shelf mounted front ticket strip 30mm together with rear ticket holder
- Shelf fitted with halogen heat lamps, with 3000 hour warm white lighting
- 25,000 hour LED lighting system at 2758 lumens per metre in cabinet top
- Supplied with 3x 1/1 gastronorm dish 65mm deep

Operational Excellence

- Sliding doors (staff side) and tilt front or sliding doors options (customer side)
- Constructed from stainless and mild steel with fully double-glazed, low-E coated, toughened safety glass for maximum energy efficiency, climate control and durability
- Low wattage density element in base provides even temperature distribution
- Dry operation well only
- Positioned on counter top



Showing : Encore Series 8 Bain Marie heated 1200mm square on-counter tilt front

OPTIONS & ACCESSORIES

Contact a [FPG Sales Representative](#) for our full range, including:

- Shelf trays: Toughened safety glass or mild steel. Colour and woodprint options available for steel.
- Stainless steel product trays
- Stainless steel pie chutes
- GN pans (various sizes)
- GN dividers
- Branded decals
- Shelf ticket strips: powdercoat colour
- Forward-facing controls
- Sides: mirror effect
- Rear Sling Doors that slide and swing
- Custom joinery solution



Please contact FPG to discuss your requirements for meeting country-specific standards.

FPGWORLD.COM



FPGWORLD.COM

ENCORE

SERIES 8 BAIN MARIE ON-COUNTER 1200 HEATED

HEATED DATA

MODEL	TEMPERATURE RANGE	RECOMMENDED CORE PRODUCT TEMPERATURE	ENVIRONMENTAL TEST CONDITIONS	HEATING
IN-EC12-BM-08-Axxx	+55°C – +90°C	+65°C – +80°C	22°C / 65% RH	Low wattage density element / 3x 100 watt linear halogen

ELECTRICAL DATA

MODEL	VOLTAGE	PHASE	CURRENT	E24H (kWh)	kWh per hour (average)	IP RATING	MAINS		LED	HALOGEN LIGHTING	
							CONNECTION	CONNECTION PLUG ¹	HOURS	HOURS	COLOUR
IN-EC12-BM-08-Axxx	220-240 V	Single	12.7 A	16.2	0.67	IP 21	3 metre, 3 core cable	15 amp, 3 pin plug	25,000	3000	Warm white

¹Please advise country to change plug specification.

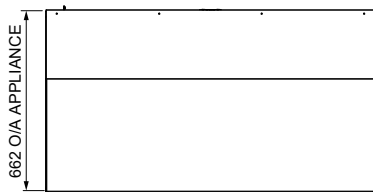
CAPACITY, ACCESS & CONSTRUCTION

MODEL	DISPLAY AREA	LEVELS	NO. OF 1/1 PANS	ACCESS FRONT	ACCESS REAR	CHASSIS CONSTRUCTION
IN-EC12-BM-08-A009	0.97 m ²	1 Shelf + Base pans	3	Tilt front	Sliding doors	Stainless 304 and mild steel
IN-EC12-BM-08-A010				Sliding doors		

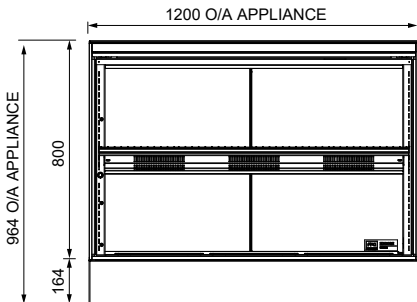
DIMENSIONS

MODEL	H x W x D mm (Uncrated)	MASS (Uncrated)
IN-EC12-BM-08-A009	964 x 1200 x 662	134 kg
IN-EC12-BM-08-A010		134 kg

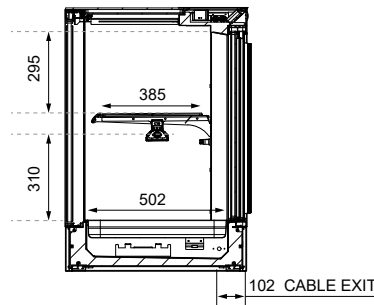
Crated weights and dimensions vary. Please contact us for information on your shipment.



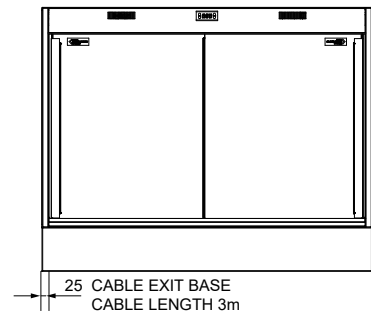
PLAN VIEW



FRONT ELEVATION



SECTION VIEW



REAR ELEVATION

For information on technical data and installation guidelines please contact support@fpgworld.com

In line with our policy to continually develop, improve and support our products, Future Products Group Ltd reserves the right to change specifications and design without notice.

Have a question? Please email us at sales@fpgworld.com or visit www.fpgworld.com for full contact details for your region.



Worldwide contact details: