



FPGWORLD.COM

visair

UPRIGHT 2400 OPEN FRONT HEATED WITH 3 SHELVES

RANGE	VISAIR UPRIGHT
TEMPERATURE	HEATED
MODEL	IN-VH24-A002
FRONT	OPEN FRONT
INSTALLATION	FREESTANDING/ROLLERS
HEIGHT	1480mm
WIDTH	2454mm
DEPTH	736mm

TEMPERATURE RANGE	+65°C – +85°C
RECOMMENDED CORE PRODUCT TEMPERATURE	+65°C – +80°C
ENVIRONMENTAL TEST CONDITIONS	22°C / 65% RH

FEATURES

- High energy efficiency: 4.6 kWh per hour (average)**
- Cabinet operating temperature range +65°C - +85°C**
Recommended core product temperature +65°C - +80°C
- Robust open front display, powdercoated satin black for a sleek finish

Open Front Heated Display

- Four full-width display levels: three fixed **IWave** quartz infrared shelves and heated base
- Each **IWave** shelf is brushed stainless steel and is fitted with ticket strip to front: 30mm (height), with caution decal applied. Each shelf is supplied with 4x 575mm width removable aluminium drip trays
- Pluggable 25,000 hour LED lighting system at 2758 lumens per metre in cabinet top and to each shelf

Operational Excellence

- FPG **IWave** heating technology uses low-wattage quartz infrared elements complemented with a heating coil in the base for even temperature distribution and extended shelf life
- Fitted with an electronic controller for energy efficiency
- Safer for consumers - display surfaces are maintained < +65°C and the internal air temperature is lower than in many fan-assisted cabinets
- No noise pollution - this cabinet runs silently
- Constructed from stainless and mild steel with fully double-glazed, toughened safety glass for maximum energy efficiency, climate control and durability
- Fitted with protective black buffer rail at base front and sides
- Fitted with unidirectional rollers and adjustable stabilisers



Showing : Visair Upright heated 2400mm freestanding open front cabinet with three **IWave** shelves and base

OPTIONS & ACCESSORIES

Contact a [FPG Sales Representative](#) for our full range, including:

- Drip trays: Colour and woodprint options available
- Custom colour
- Branded decals
- Lockable castors
- Custom joinery solution



Please contact FPG to discuss your requirements for meeting country-specific standards.

FPGWORLD.COM



FPGWORLD.COM

visair

UPRIGHT 2400 OPEN FRONT HEATED WITH 3 SHELVES

HEATED DATA

MODEL	TEMPERATURE RANGE	RECOMMENDED CORE PRODUCT TEMPERATURE	ENVIRONMENTAL TEST CONDITIONS	IWAVE HEATING
IN-VH24-A002	+65°C - +85°C	+65°C - +80°C	22°C / 65% RH	Low-wattage infrared quartz elements

ELECTRICAL DATA

MODEL	VOLTAGE	PHASE	CURRENT	E24H (kWh)	kWh per hour (average)	IP RATING	MAINS		LED LIGHTING		
							CONNECTION	CONNECTION PLUG	HOURS	LUMENS	COLOUR
IN-VH24-A002	220-240 V	Single	29.7 A	110.4	4.6	IP 22	Fixed wiring ¹	N/A	25,000	2758 per metre	Natural

¹Please see the manual for more information.

CAPACITY, ACCESS & CONSTRUCTION

MODEL	DISPLAY AREA	LEVELS	ACCESS FRONT	ACCESS REAR	CHASSIS CONSTRUCTION
IN-VH24-A002	3.8 m ²	3 Shelves + Base	Open front	N/A	Stainless 304 and mild steel

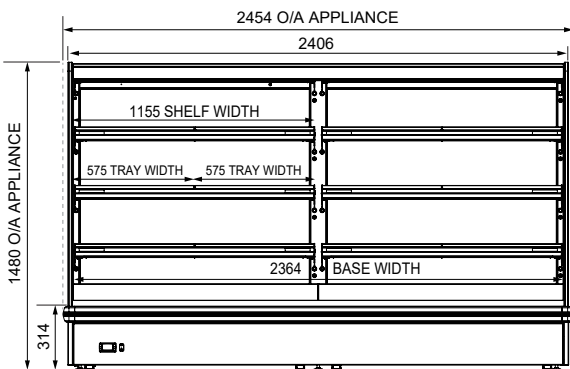
DIMENSIONS

MODEL	H x W x D mm (Uncrated)	MASS (Uncrated)
IN-VH24-A002	1480 x 2454 x 736	410 kg

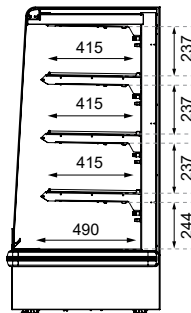
Crated weights and dimensions vary. Please contact us for information on your shipment.



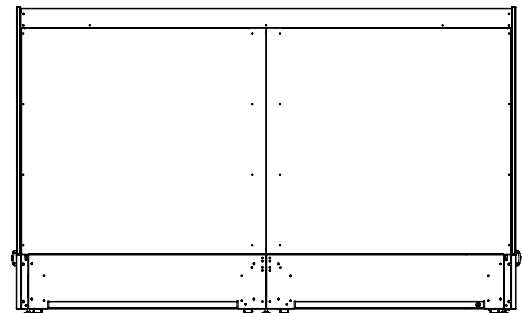
PLAN VIEW



FRONT ELEVATION



SECTION VIEW



REAR ELEVATION

More information including technical data and installation guidelines is available from the Product Manual published on our website.

In line with our policy to continually develop, improve and support our products, Future Products Group Ltd reserves the right to change specifications and design without notice.

Have a question? Please email us at sales@fpgworld.com or visit www.fpgworld.com for full contact details for your region.

