



FPGWORLD.COM

# visair

## UPRIGHT 1200 OPEN FRONT HEATED - 3 SHELVES & REAR DOORS

|              |                      |
|--------------|----------------------|
| RANGE        | VISAIR UPRIGHT       |
| TEMPERATURE  | HEATED               |
| MODEL        | IN-VH12-A006         |
| FRONT        | OPEN FRONT           |
| INSTALLATION | FREESTANDING/ROLLERS |
| HEIGHT       | 1480mm               |
| WIDTH        | 1265mm               |
| DEPTH        | 736mm                |

|                                      |               |
|--------------------------------------|---------------|
| TEMPERATURE RANGE                    | +65°C – +85°C |
| RECOMMENDED CORE PRODUCT TEMPERATURE | +65°C – +80°C |
| ENVIRONMENTAL TEST CONDITIONS        | 22°C / 65% RH |

## FEATURES

- High energy efficiency: 2.3 kWh per hour (average)**
- Cabinet operating temperature range +65°C - +85°C**  
**Recommended core product temperature +65°C - +80°C**
- Robust open front display, powdercoated satin black for a sleek finish. Fitted with rear glass doors with one-way mirror decal to support rear back-fill and stock rotation

### Open Front Heated Display

- Four full-width display levels: three fixed **IWave** quartz infrared shelves and heated base
- Each **IWave** shelf is brushed stainless steel and is fitted with ticket strip to front: 30mm (height), with caution decal applied. Each shelf is supplied with 2x 575mm width removable aluminium drip trays
- Pluggable 25,000 hour LED lighting system at 2758 lumens per metre in cabinet top and to each shelf

### Operational Excellence

- Easy 'plug and play' installation
- FPG **IWave** heating technology uses low-wattage quartz infrared elements complemented with a heating coil in the base for even temperature distribution and extended shelf life
- Fitted with an electronic controller for energy efficiency
- Safer for consumers - display surfaces are maintained < +65°C and the internal air temperature is lower than in many fan-assisted cabinets
- No noise pollution - this cabinet runs silently
- Constructed from stainless and mild steel with fully double-glazed, toughened safety glass for maximum energy efficiency, climate control and durability
- Fitted with protective black buffer rail at base front and sides
- Fitted with unidirectional rollers and adjustable stabilisers



Showing : Visair Upright heated 1200mm freestanding open front cabinet with three **IWave** shelves plus base and rear doors



## OPTIONS & ACCESSORIES

Contact a [FPG Sales Representative](#) for our full range, including:

- Drip trays: Colour and woodprint options available
- Branded decals
- Custom colour
- Lockable castors
- Custom joinery solution



Please contact FPG to discuss your requirements for meeting country-specific standards.

FPGWORLD.COM



FPGWORLD.COM

# visair

## UPRIGHT 1200 OPEN FRONT HEATED - 3 SHELVES & REAR DOORS

### HEATED DATA

| MODEL        | TEMPERATURE RANGE | RECOMMENDED CORE PRODUCT TEMPERATURE | ENVIRONMENTAL TEST CONDITIONS | IWAVE HEATING                        |
|--------------|-------------------|--------------------------------------|-------------------------------|--------------------------------------|
| IN-VH12-A006 | +65°C - +85°C     | +65°C - +80°C                        | 22°C / 65% RH                 | Low-wattage infrared quartz elements |

### ELECTRICAL DATA

| MODEL        | VOLTAGE   | PHASE  | CURRENT | E24H (kWh) | kWh per hour (average) | IP RATING | MAINS                |                              | LED LIGHTING |                |         |
|--------------|-----------|--------|---------|------------|------------------------|-----------|----------------------|------------------------------|--------------|----------------|---------|
|              |           |        |         |            |                        |           | CONNECTION           | CONNECTION PLUG <sup>1</sup> | HOURS        | LUMENS         | COLOUR  |
| IN-VH12-A006 | 220-240 V | Single | 14.6 A  | 55.2       | 2.3                    | IP 22     | 3 metre 3 core cable | 15 amp 3 pin plug            | 25,000       | 2758 per metre | Natural |

<sup>1</sup>Please advise country to change plug specification.

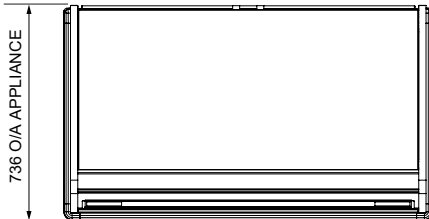
### CAPACITY, ACCESS & CONSTRUCTION

| MODEL        | DISPLAY AREA       | LEVELS           | ACCESS FRONT | ACCESS REAR   | CHASSIS CONSTRUCTION         |
|--------------|--------------------|------------------|--------------|---------------|------------------------------|
| IN-VH12-A006 | 2.0 m <sup>2</sup> | 3 Shelves + Base | Open front   | 2 Swing doors | Stainless 304 and mild steel |

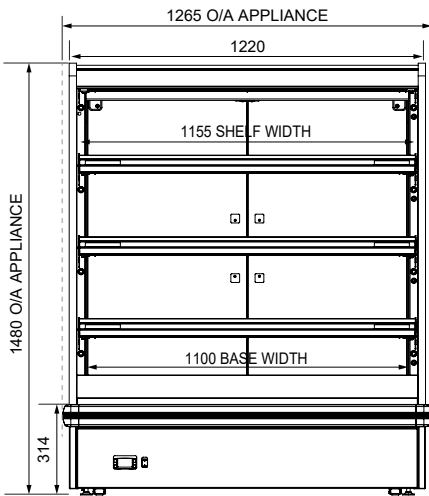
### DIMENSIONS

| MODEL        | H x W x D mm (Uncrated) | MASS (Uncrated) |
|--------------|-------------------------|-----------------|
| IN-VH12-A006 | 1480 x 1265 x 736       | 195 kg          |

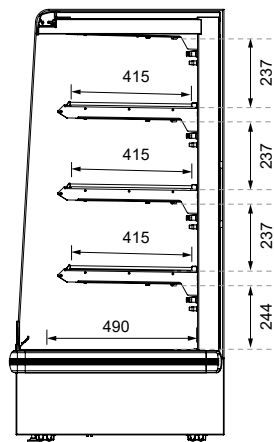
Crated weights and dimensions vary. Please contact us for information on your shipment.



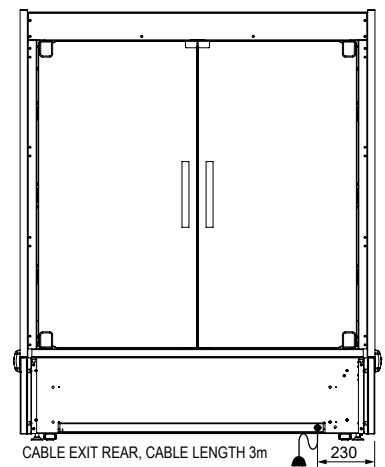
PLAN VIEW



FRONT ELEVATION



SECTION VIEW



REAR ELEVATION

More information including technical data and installation guidelines is available from the Product Manual published on our website.

In line with our policy to continually develop, improve and support our products, Future Products Group Ltd reserves the right to change specifications and design without notice.

Have a question? Please email us at [sales@fpgworld.com](mailto:sales@fpgworld.com) or visit [www.fpgworld.com](http://www.fpgworld.com) for full contact details for your region.



Worldwide contact details: