



FPGWORLD.COM

visair

ISLAND 1800 HEATED

RANGE	VISAIR ISLAND
TEMPERATURE	HEATED
MODEL	IN-H-IS-1800-A001
FRONT	OPEN FRONT
INSTALLATION	FREESTANDING/CASTORS
HEIGHT	1514mm
WIDTH	1819mm
DEPTH	1448mm

TEMPERATURE RANGE	+65°C – +85°C
RECOMMENDED CORE PRODUCT TEMPERATURE	+65°C – +80°C
ENVIRONMENTAL TEST CONDITIONS	22°C / 65% RH

FEATURES

- High energy efficiency: 5.35 kWh per hour (average)
- Cabinet operating temperature range +65°C - +85°C
Recommended core product temperature +65°C - +80°C

- Robust open front display, powdercoated satin black for a sleek finish

Open Front Heated Display

- Two full-width display levels: four fixed **IWave** quartz infrared shelves and heated base
- Each **IWave** shelf is brushed stainless steel and is fitted with ticket strip to front: 30mm (height), with caution decal applied. Each shelf is supplied with 1x 837mm width removable aluminium drip tray
- Display area of 2.9m² accommodates 120 cooked chickens assuming tray sizes of 155mm x 195mm
- Pluggable 25,000 hour LED lighting system at 2758 lumens per metre in cabinet top and to each shelf

Operational Excellence

- Easy 'plug and play' installation
- FPG **IWave** heating technology uses low-wattage quartz infrared elements complemented with a heating coil in the base for even temperature distribution and extended shelf life
- Fitted with an electronic controller for energy efficiency
- Safer for consumers - display surfaces are maintained < +65°C and the internal air temperature is lower than in many fan-assisted cabinets
- No noise pollution - this cabinet runs silently
- Constructed from stainless and mild steel with fully double-glazed, toughened safety glass for maximum energy efficiency, climate control and durability
- Fitted with a stainless steel protective crash rail, powdercoated black, on all sides
- Fitted with castors to support manoeuvrability



Showing : Visair Island heated 1800mm with four **IWave** shelves and base

OPTIONS & ACCESSORIES

Contact a [FPG Sales Representative](#) for our full range, including:

- Drip tray: Colour and woodprint options available
- Custom colour
- Branded decals



Please contact FPG to discuss your requirements for meeting country-specific standards.

FPGWORLD.COM

HEATED DATA

MODEL	TEMPERATURE RANGE	RECOMMENDED CORE PRODUCT TEMPERATURE	ENVIRONMENTAL TEST CONDITIONS	I/WAVE HEATING
IN-H-IS-1800-A001	+65°C - +85°C	+65°C - +80°C	22°C / 65% RH	Low-wattage infrared quartz elements

ELECTRICAL DATA

MODEL	VOLTAGE	PHASE	CURRENT	E24H (kWh)	kWh per hour (average)	IP RATING	MAINS		LED LIGHTING		
							CONNECTION	CONNECTION PLUG ¹	HOURS	LUMENS	COLOUR
IN-H-IS-1800-A001	220-240 V	Single	29.5 A	128.4	5.35	IP 22	Fixed wiring ¹	N/A	25,000	2758 per metre	Natural

¹Please see the manual for more information.

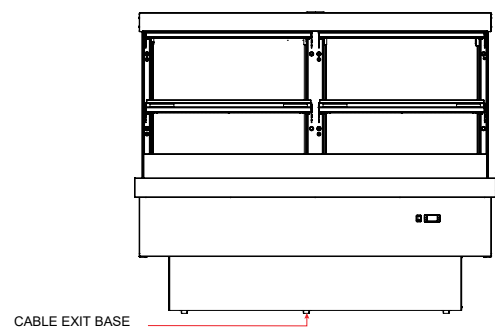
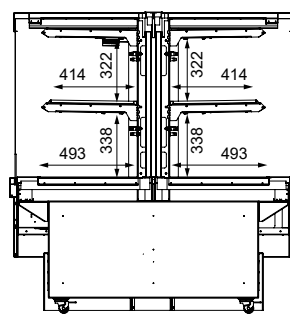
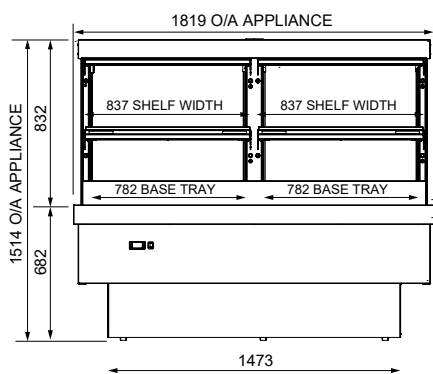
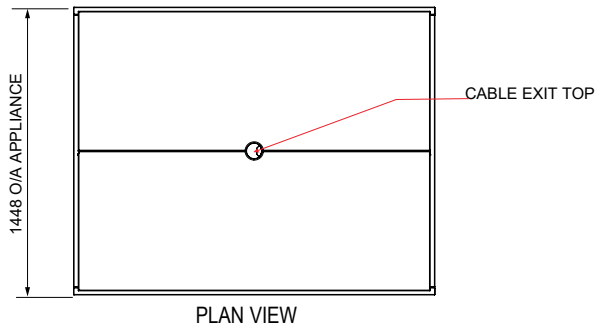
CAPACITY, ACCESS & CONSTRUCTION

MODEL	DISPLAY AREA	LEVELS	ACCESS FRONT	ACCESS REAR	CHASSIS CONSTRUCTION
IN-H-IS-1800-A001	2.93 m ²	2 (4 Shelves) + Base	Open front	N/A	Stainless 304 and mild steel

DIMENSIONS

MODEL	H x W x D mm (Uncrated)	MASS (Uncrated)
IN-H-IS-1800-A001	1514 x 1819 x 1448	- kg

Crated weights and dimensions vary. Please contact us for information on your shipment.



More information including technical data and installation guidelines is available from the Product Manual published on our website.

In line with our policy to continually develop, improve and support our products, Future Products Group Ltd reserves the right to change specifications and design without notice.

Have a question? Please email us at sales@fpgworld.com or visit www.fpgworld.com for full contact details for your region.

