



MODEL

MODEL	CABINET RANGE	CABINET TEMP.	PROFILE	CABINET WIDTH	CABINET HEIGHT	CABINET DEPTH	ACCESS FRONT	INSTALLATION
IL-H-HPC-A001-00	Popcorn	Heated	Square	747mm	714mm	710mm	Fixed Front	On-counter

OVERVIEW

Designed for cinemas and c-stores, the Popcorn Warmer is a heated display for popcorn in one compact space. The Popcorn Warmer is ideal for point of sale impulse purchases, helping you to increase sales while keeping your popcorn fresh, warm and tasty.

FEATURES

- **High energy efficiency - 0.21 kWh per hour average**

Heated Square Display

- Maintains warm popcorn at a temperature ~+40°C
- High display capacity
- 50,000 hour LED lighting in cabinet top
- Lighting and glass are designed to merchandise popcorn at its best

Operational Excellence

- Operator serve over with sliding top door to access popcorn
- Fast and easy on-counter installation
- Stainless steel base plates are slotted to allow for warm air circulation
- Trouble-free cleaning supported by easy access to the internal cabinet:
 - Fold down louvre panel in front provides access to a drawer fitted with runners which collects popcorn debris
 - Removable top door and base plates



SHOWING : POPCORN WARMER

FPG heated food display cabinets are designed to meet and exceed:

- International safety standards for electrical heated appliances:
 - IEC 60335-1, IEC 60335-2-49, IEC 60335-2-50 & the equivalent country-specific standards including AS/NZS & BS EN.
- International standards for electromagnetic compatibility/emissions: CISPR 14-1, & the equivalent country-specific standards including AS/NZS CISPR & BS EN 55014-1.
- Essential safety requirements: AS/NZS 3820 and AS/NZS 4417



Please contact FPG to discuss your requirements for meeting country-specific standards.





SPECIFICATIONS

ELECTRICAL DATA

MODEL	VOLTAGE	PHASE	CURRENT	kWh per hour (average)	MAINS		IP RATING	LED LIGHTING		
					CONNECTION	CONNECTION PLUG*		LIFETIME	LUX	COLOUR
IL-H-HPC-A001-00	220-240 V	Single	1.8 A	0.21	3 metre 3 core cable	10 amp, 3 pin plug	IP 22	50,000 hr LED	~2000	Natural

*Please advise country to change plug specification.

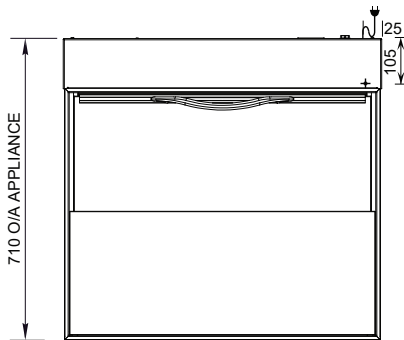
DISPLAY & ACCESS DETAILS

MODEL	CAPACITY	LOAD LIMIT	ACCESS - FRONT	ACCESS - TOP	GLASS TYPE	CONSTRUCTION
IL-H-HPC-A001-00	0.16 m ³ (160L Popcorn)	3/4 full	Fixed front	Sliding door	Single glazed glass	304 Stainless Steel

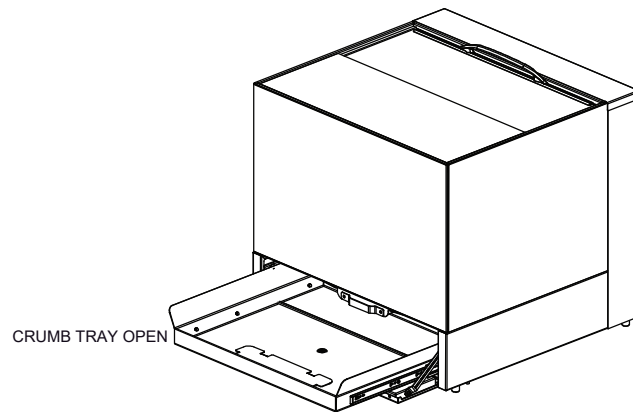
DIMENSIONS

MODEL	H x W x D mm (Uncrated)	MASS (Uncrated)	Estimated H x W x D mm (Crated)*	Estimated MASS (Crated)*	Estimated CUBIC VOLUME (Crated)*
IL-H-HPC-A001-00	714 x 747 x 710	70 kg	860 x 810 x 800	115 kg	0.56 m ³

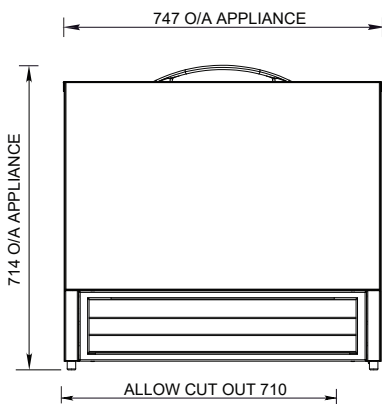
*Crated weights and dimensions vary. Please contact us for information on your shipment.



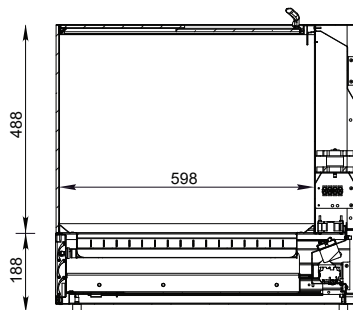
PLAN VIEW



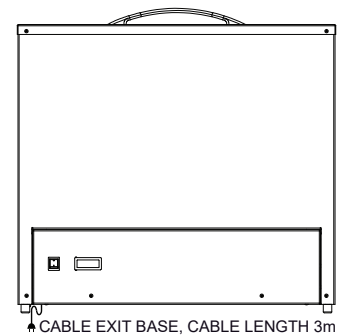
PERSPECTIVE



FRONT ELEVATION



SECTION VIEW



REAR ELEVATION

More information including technical data and installation guidelines is available from the Product Manual. Product Manuals are available from our website – WWW.FPGWORLD.COM

In line with our policy to continually develop, improve and support our products, Future Products Group Ltd reserves the right to change specifications and design without notice.

Have a question? Please email us at sales@fpgworld.com or visit WWW.FPGWORLD.COM for full contact details for your region.