



FPGWORLD.COM

# CUSTOM

## WOOLWORTHS 2400 VISAIR OPEN FRONT HEATED

STANDARD HEIGHT/2 SHELF LEVELS/SQUARE END PANELS  
STAINLESS STEEL CRASH RAIL

MODEL	IL-H-WW-VA24-B007-00
RANGE	VISAIR UPRIGHT
INSTALLATION	FREESTANDING/ROLLERS
FRONT	OPEN FRONT
TEMPERATURE	HEATED
HEIGHT	1474mm
WIDTH	2408mm
DEPTH	763mm

TEMPERATURE RANGE	+30°C - +85°C
RECOMMENDED CORE PRODUCT TEMPERATURE	> 65°C
ENVIRONMENTAL TEST CONDITIONS	22°C / 65% RH

### FEATURES

**High energy efficiency: 4.72 kWh per hour (average)**

**Consistently maintains hot product >65°C**

- Constructed from stainless steel with powdercoated black exterior and insulated solid side panels
- Interior finish: polished stainless steel to achieve a mirrored effect to each side

#### Open Front Heated Display

- 3 full-width display levels: 2 fixed **IWave** quartz infrared shelf levels and a heated base
- Each shelf level is fitted two shelves with each shelf accommodating four split trays, ticketing insert 30mm (height), with caution decal applied
- Each **IWave** shelf is brushed stainless steel
- Pluggable 25,000 hour LED lighting at the cabinet top and each shelf



#### Operational Excellence

- FPG **IWave** heating technology uses low wattage quartz infrared elements complemented with a heating coil in the base for even temperature distribution and extended shelf life
- Engineered with a Dixel XR35 electronic controller to help maintain high efficiency
  - Fitted with Silcotrac PSP to support connection to Woolworths' central monitoring system
  - Fitted with stainless steel protective crash rail at base front
  - Designed to be freestanding
  - Fitted with unidirectional rollers and stabilisers
  - Fitted with "Clean Out - On/Off" switch

Showing: Woolworths Australia 2400mm.  
Visair Open Front. Heated.  
Standard Height. 2 Shelf Levels, Square End Panels.  
Stainless Steel Crash Rail



IWave



Please contact FPG to discuss your requirements for meeting country-specific standards.

FPGWORLD.COM

### HEATED DATA

MODEL	TEMPERATURE RANGE	RECOMMENDED CORE PRODUCT TEMPERATURE	ENVIRONMENTAL TEST CONDITIONS	I/WAVE HEATING
IL-H-WW-VA24-B007-00	+30°C - +85°C	> +65°C	22°C / 65% RH	Low wattage infrared quartz elements

### ELECTRICAL DATA

MODEL	VOLTAGE	PHASE	CURRENT <sup>1</sup>	E24H <sup>2</sup> (kWh)	kWh per hour average	kWh per hour per m <sup>2</sup>	MAINS		LED LIGHTING		
							CONNECTION	CONNECTION PLUG	HOURS	LUMENS	COLOUR
IL-H-WW-VA24-B007-00	220-240 V	Single	26.4 A	113.18	4.72	1.54	Fixed wiring <sup>3</sup>	N/A	25,000	2758 per metre	Natural

<sup>1</sup>Current is the maximum potential current draw at 240v with +5% element tolerance.

<sup>2</sup>Nominal power consumption per 24h. i.e. 230V at 0% energy tolerance.

<sup>3</sup>Please see manual for more information.

### CAPACITY, ACCESS & CONSTRUCTION

MODEL	DISPLAY AREA	LEVELS	ACCESS FRONT	ACCESS REAR	CHASSIS CONSTRUCTION	IP RATING
IL-H-WW-VA24-B007-00	3.07 m <sup>2</sup>	2 Shelves + Base	Open front	N/A	Stainless 304 and mild steel	IP 22

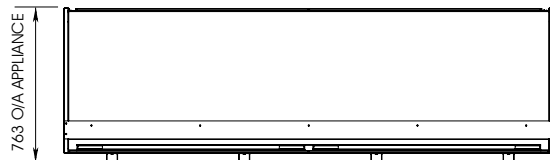
### DIMENSIONS

MODEL	H x W x D mm (Uncrated)	MASS (Uncrated)
IL-H-WW-VA24-B007-00	1474 x 2408 x 763	400 kg

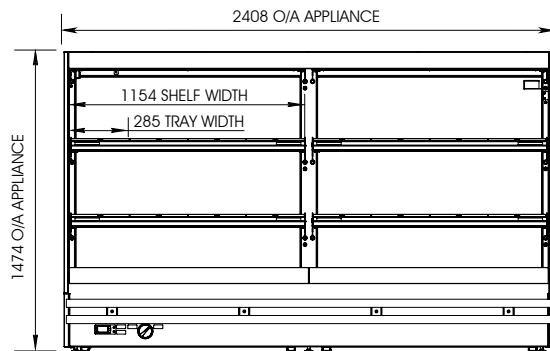
Crated weights and dimensions vary. Please contact us for information on your shipment.

#### Installation note:

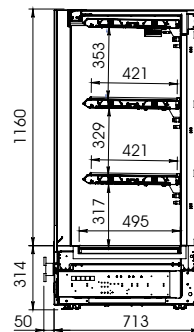
Unobstructed airflow must be maintained to ensure unit performance and maintain warranty



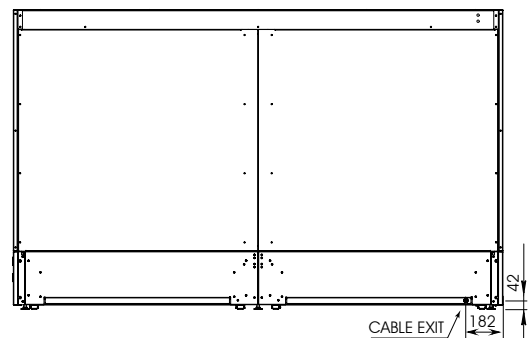
PLAN VIEW



FRONT ELEVATION



SECTION VIEW



REAR ELEVATION

More information including technical data and installation guidelines is available from the Product Manual.

In line with our policy to continually develop, improve and support our products, Future Products Group Ltd reserves the right to change specifications and design without notice.

Have a question? Please email us at [sales@fpgworld.com](mailto:sales@fpgworld.com) or visit [www.fpgworld.com](http://www.fpgworld.com) for full contact details for your region.

