

MODELS
IL-MD-450/600-AMB-SQ

PRODUCT MANUAL 28740
REV I JUL 2024



CUSTOM

McDONALDS MEA
SQUARE CABINETS
AMBIENT



WIDTHS: 450mm, 600mm
FREESTANDING ON COUNTER
SWING REAR DOORS

CUSTOM

MCDONALDS MEA
SQUARE CABINETS/AMBIENT

Warnings

Caution

Do not store explosive substances, such as aerosol cans with flammable propellant, in this appliance.

**Mains Supply
Cord**

If the supply cord is damaged, it must be replaced by the manufacturer, its service agent or similarly qualified persons, in order to avoid a hazard.

**Copyright © JUL 2024 Future Products Group Limited.
All rights reserved.**

No part of this publication may be reproduced, stored in a retrieval system, or transmitted in any form or by any means, electronic, mechanical, photocopying, recording or otherwise, without the prior written permission of Future Products Group Ltd.

Table of Contents

| | |
|--------------------------------------|----------|
| WARNINGS | 2 |
| Caution | 2 |
| Mains Supply Cord | 2 |
| INTRODUCTION | 5 |
| Welcome | 5 |
| Future Products Group (FPG) | 5 |
| Guidance and Help | 5 |
| Warranty | 5 |
| Warranty Period | 5 |
| Liability Exceptions | 6 |
| Specific Exclusions | 6 |
| Assessment | 6 |
| Time Limit | 6 |
| Caution | 6 |
| OPERATION | 7 |
| Cabinet Layout | 7 |
| Square Series Cabinets | 7 |
| Shelf Lighting | 7 |
| Shelves | 7 |
| Preparation | 7 |
| Shelf Location and Ticketing | 7 |
| Shelf Adjustment | 7 |
| CLEANING | 8 |
| Cautions | 8 |
| Power | 8 |
| Water | 8 |
| Procedures | 8 |
| McDonald's Standard Procedures | 8 |
| Removable Parts | 8 |
| Schedules | 8 |

CUSTOM

MCDONALDS MEA
SQUARE CABINETS/AMBIENT

| | |
|--|-----------|
| INSTALLATION | 9 |
| Regulations | 9 |
| Compliance with Local Requirements | 9 |
| Preparation of Location | 9 |
| Cable Access..... | 9 |
| Setting Up | 10 |
| Unpacking..... | 10 |
| Cabinet Preparation..... | 10 |
| Shelf Trays | 10 |
| Loading Restrictions | 10 |
| Grounding..... | 10 |
| Power Supply | 10 |
| SPECIFICATIONS..... | 11 |
| Mechanical | 11 |
| Electrical..... | 11 |
| Circuit Diagram IL-MD-450&600-AMB | 11 |
| SPARE PARTS | 12 |
| Cabinet Serial Number | 12 |
| *Recommended Spare Parts to be carried by Service Provider | 12 |
| Compliance | 13 |
| Safety Aspects..... | 13 |
| Operational Safety..... | 13 |
| Improvements | 13 |
| Ongoing Development..... | 13 |
| MECHANICAL DRAWINGS..... | 14 |
| *REVISION HISTORY | 15 |

INTRODUCTION

Welcome

AMBIENT CABINETS - INTRODUCTION

Future Products Group (FPG)

Welcome to the world of FPG! Our products are designed and engineered to give you the optimal performance that you deserve with innovative visual merchandising appeal.

We are confident that you will be delighted with your state of the art inline food service cabinet, and that it will become a valued appliance in your store.

Guidance and Help

Any new appliance can seem very complex and confusing at first glance. To ensure you receive the utmost benefit from your new inline cabinet, there are two things you can do.

- Before operating the cabinet, please read the instruction book carefully and follow its recommendations. The time taken will be well spent. These instructions both general and technical tell you how to install, operate and look after your inline food service cabinet so that you can receive the full benefits that this cabinet has to offer.
 - These instructions cannot, however, cover all eventualities. If you are unsure of any aspect of the installation, instructions or performance of your cabinet, contact your dealer promptly or contact us via email to support@fpgworld.com.
-

Warranty

AMBIENT CABINETS - INTRODUCTION

Warranty Period

Future Products Group Limited warrants, to the original purchaser of an FPG manufactured food service cabinet, that for TWO YEARS (24 months) from the date of purchase, any defect in workmanship or material resulting in the product malfunctioning while under correct use will be rectified.

Liability under this warranty is limited to replacing or repairing a part, without charge.

Continued on next page

CUSTOM

MCDONALDS MEA
SQUARE CABINETS/AMBIENT

Warranty cont.

AMBIENT CABINETS - INTRODUCTION

Liability Exceptions

Liability under this warranty does not include:

- Any loss, damage, or expenses directly or indirectly arising from the use of, or inability to use, the product or from any other cause.
 - Any part of the cabinet which has been subject to misuse, neglect, alteration, incorrect installation, accident, or damage caused by transportation, use of abrasive or caustic chemicals, flood, fire or acts of God.
 - Any damage or malfunction, resulting from the use of non-FPG supplied spare parts.
-

Specific Exclusions

The following are specifically excluded from warranty:

- Breakage of glass or plastic components, or the replacement of LED lighting assemblies or gaskets.
 - Failure to re-assemble the cabinet correctly after cleaning.
 - Fair wear and tear.
-

Assessment

The liability under this warranty is dependent on an assessment by FPG, to determine the defect in workmanship or materials.

Time Limit

FPG does not guarantee that any service to be performed under this warranty will be carried out within any particular time limit.

Caution

FPG will not be held responsible for any servicing costs incurred prior to FPG's acceptance of a warranty claim.

OPERATION

Cabinet Layout

AMBIENT CABINETS - OPERATION

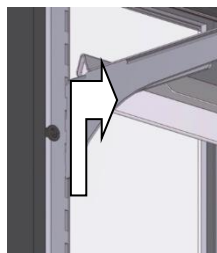
| | |
|-------------------------------|--|
| Square Series Cabinets | The cabinet has fixed front glass, and rear swing doors. It is designed to be free-standing on a counter top or table. |
| <hr/> | |
| Shelf Lighting | Cabinets are fitted with a top light and a light below the shelf. They are fitted with high efficiency LED lighting. The light switch is on the rear of the cabinet. |
| <hr/> | |
| Shelves | The shelves consist of stainless steel trays with black acrylic inserts. The front and rear edges of the shelf are profiled to carry ticketing/labels. |

Preparation

AMBIENT CABINETS - OPERATION

| | |
|-------------------------------------|--|
| Shelf Location and Ticketing | <p>The shelf position is adjustable in height and can easily be moved up or down, to match product size.</p> <p>The movement is restricted to 50mm, because of the electric cables to the lights. For greater movement contact the manufacturer or supplier for advice, as electrical modifications may be required.</p> |
|-------------------------------------|--|

Shelf Adjustment



To move the shelf brackets, first remove the shelf trays.

Lift the brackets straight up firmly and then pull the brackets forward, to disengage them from the slots in the support posts. Insert the brackets into their new position, and push bracket down firmly.

The brackets may be positioned to give two different degrees of slope to the shelf.

N.B. Make sure brackets are pushed down as far as they can go. Failure to do this may result in shelf collapse, when loaded with product.

CUSTOM

MCDONALDS MEA
SQUARE CABINETS/AMBIENT

CLEANING

Cautions

AMBIENT CABINETS - CLEANING

Power **ALWAYS TURN THE POWER SUPPLY OFF BEFORE CLEANING.**

Water THIS UNIT IS NOT WATERPROOF. DO NOT USE A WATER JET SPRAY TO CLEAN THE INTERIOR OR EXTERIOR OF THIS CABINET.

Procedures

AMBIENT CABINETS - CLEANING

McDonald's Standard Procedures McDonald's Planned Maintenance, PM cards, should be followed for all regular cleaning procedures.

Removable Parts Shelf trays and acrylic inserts can be removed for cleaning with McD APSC. Stainless steel parts **only** may be cleaned in a dishwasher.

Schedules To maintain optimum performance, regular cleaning schedules should be established, as specified in the McDonald's PM card.
Failure to carry out routine cleaning/servicing schedules will void the warranty on the refrigeration equipment.

INSTALLATION

Regulations

AMBIENT CABINETS - INSTALLATION

Compliance with Local Requirements

It is very important that your inline food cabinet is installed correctly and that the operation is correct before use. Installation must comply with local electrical, health & safety and hygiene requirements.

Preparation of Location

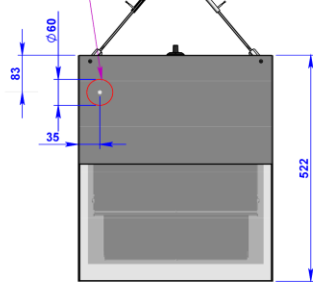
AMBIENT CABINETS - INSTALLATION

Cable Access

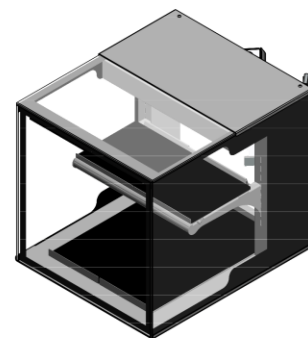
The cabinet is designed to sit low on a counter or other support surface. To prevent damage to the mains cable, a clearance hole must be provided.

Note: Cable Entry Hole In Benchtop To Be 60mm Diameter. Hole Edges To Be Rounded Over Or Appropriate Commercial Cable Insert Used To Protect Cable Against Damage.

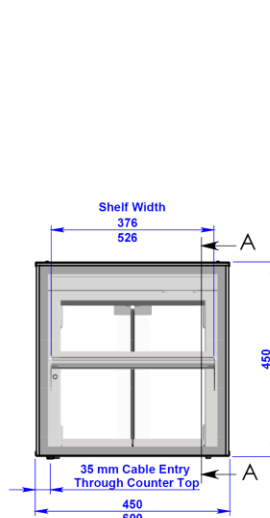
Cable Entry Hole Location



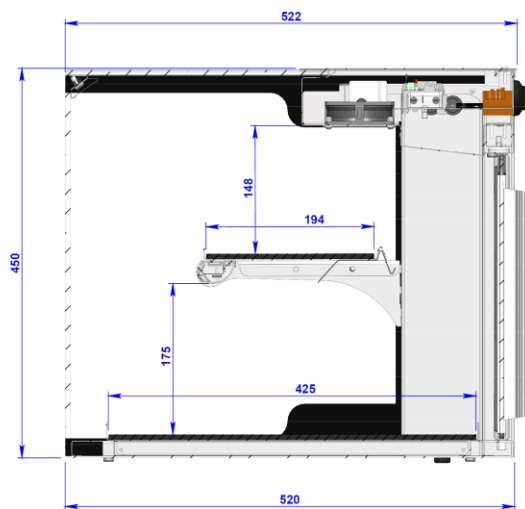
PLAN



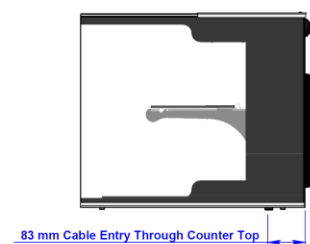
PERSPECTIVE



FRONT ELEVATION



SECTION A-A



SIDE ELEVATION

CUSTOM

MCDONALDS MEA
SQUARE CABINETS/AMBIENT

Setting Up

AMBIENT CABINETS - INSTALLATION

| | |
|-----------------------------|---|
| Unpacking | <p>Unpack and check unit for damage and report any damage to the carrier and supplier. Report any deficiencies to your supplier.</p> <p>The display cabinet is supplied fully assembled, but shelf trays are packed separately.</p> |
| Cabinet Preparation | <p>Remove all protective plastic film, tapes, ties and packers, used to prevent movement during transit.</p> |
| Shelf Trays | <p>Remove the shelf trays from their packing and assemble them on the support members.</p> |
| Loading Restrictions | <p>The maximum loading on shelves must not exceed 25kg of evenly distributed products.</p> |
| Grounding | <p>WARNING: THIS APPLIANCE MUST BE GROUNDED TO EARTH</p> <p>The grounding lead, in the mains cable, must always be connected to earth.</p> |
| Power Supply | <p>Before connecting to the power supply, check that the local supply is correct to that shown on the rating plate, located on the rear of the cabinet.</p> |

SPECIFICATIONS

Mechanical

AMBIENT CABINETS - SPECIFICATIONS

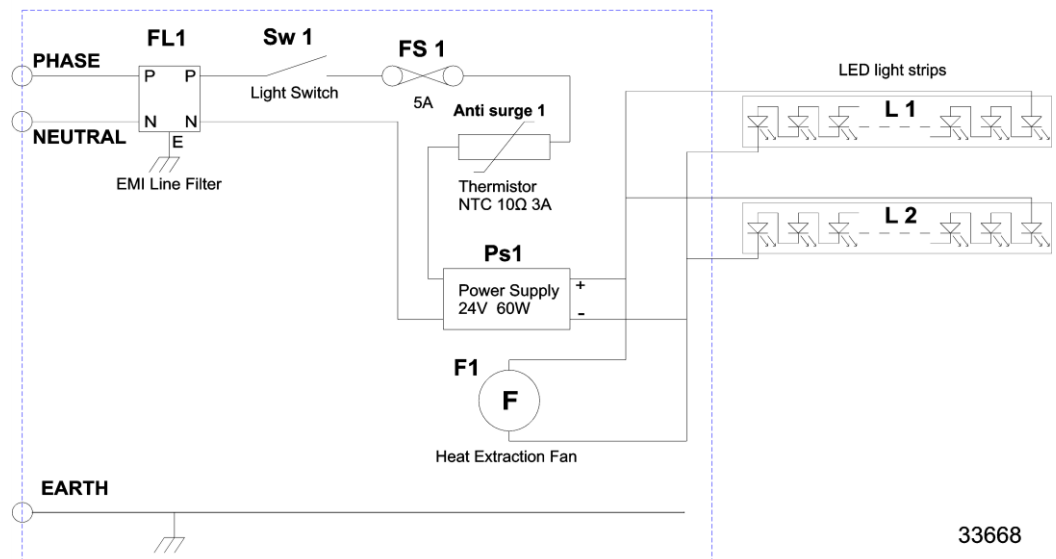
| | CABINET MODEL | |
|-------------------|---------------------------------------|--------------------------|
| | IL-MD-450-AMB-SQ | IL-MD-600-AMB-SQ |
| Height | 450 mm | 450 mm |
| Width | 450 mm | 600 mm |
| Depth | 522 mm | 522 mm |
| Dry Weight | | |
| Cabinet Colour | Black and natural anodised aluminium. | |
| Top Lighting | Standard | Standard |
| Shelf Lighting | Standard | Standard |
| Glass Type | Toughened, single glazed | Toughened, single glazed |
| Front Doors | Fixed glass | Fixed glass |
| Rear Doors | Hinged/Swing glass | Hinged/Swing glass |
| Number of Shelves | One plus base | One plus base |
| Display Area | 0.23 m ² | 0.33 m ² |
| IP Rating | All cabinets have an IP 22 rating | |

Electrical

AMBIENT CABINETS - SPECIFICATIONS

| | CABINET MODEL | |
|--------------|-------------------------------|-------------------------------|
| | IL-MD-450-AMB-SQ | IL-MD-600-AMB-SQ |
| Voltage | 220 - 240 V 50/60 Hz 1 ϕ | 220 - 240 V 50/60 Hz 1 ϕ |
| Power | 12 W | 15 W |
| Current | 0.1 A | 0.1 A |
| Connection | 3 pin plug, 10 A lead | 3 pin plug, 10 A lead |
| Top Lights | 1 x LED strip | 1 x LED strip |
| Shelf Lights | 1 x LED strips | 1 x LED strips |

Circuit Diagram
IL-MD-450&600-AMB



33668

CUSTOM

MCDONALDS MEA
SQUARE CABINETS/AMBIENT

SPARE PARTS

Cabinet Serial Number

When ordering spare parts, it is important to quote the Serial Number printed on the label fixed to the control panel. This will enable FPG to trace details of the build specification of your particular cabinet, and hence ensure that spare parts are fully compatible.

To satisfy warranty conditions, and ensure optimum performance, use only FPG supplied spare parts.

| Part Description | FPG Part No. |
|--|--------------|
| Main & Light Switch, EGO* | 14372 |
| Fuse Link (5A, 250V, Slow Blow)* | 13330 |
| Knob (light switch) | 14374 |
| Ant-surge Thermistor 10 Ohm 3A* | 22354 |
| 24V 60W LED power supply* | 25473 |
| Polycarbonate Shelf Light Cover (450 cabinet) | 33639 |
| Polycarbonate Shelf Light Cover (600 cabinet) | 32907 |
| Polycarbonate Top Light Cover, (450 cabinet) | 29414 |
| Polycarbonate Top Light Cover, (600 cabinet) | 25222 |
| Top Light Replacement Kit, (450 cabinet) | 78751 |
| Top Light Replacement Kit, (600 cabinet) | 78756 |
| Shelf Light Replacement Kit, (450 cabinet) | 78749 |
| Shelf Light Replacement Kit, (600 cabinet) | 78753 |
| 80mm Axial Fan* | 30171 |
| <i>Handed parts are identified as viewed from the rear of the cabinet</i> | |
| LH/RH End Glass Kit* | 75580 |
| Front fixed glass, (450 cabinet)* | 75581 |
| Front fixed glass, (600 cabinet)* | 75583 |
| Top glass, (450 cabinet)* | 75582 |
| Top glass, (600 cabinet)* | 75584 |
| Rear Swing Door, (450 cabinet)* | 74115 |
| Rear Swing Door, (600 cabinet)* | 74367 |
| Slide-in rubber door seal | 11424 |
| Black Acrylic Base Tray (450 cabinet) | 29417 |
| Black Acrylic Shelf Tray (450 cabinet) | 29418 |
| Bamboo Base Tray (450 cabinet) | 29590 |
| Bamboo Shelf Tray (450 cabinet) | 29591 |
| Black Acrylic Base Tray (600 cabinet) | 29639 |
| Black Acrylic Shelf Tray (600 cabinet) | 29641 |
| Bamboo Base Tray (600 cabinet) | 29045 |
| Bamboo Shelf Tray (600 cabinet) | 28655 |
| Product Manual for Square Format Series Ambient Cabinets | 28740 |

***Recommended Spare Parts to be carried by Service Provider**

Compliance

AMBIENT CABINETS - SPARE PARTS

Safety Aspects This cabinet has been designed to comply with the relevant requirements of the following specifications:

- IEC 60335-1 Ed 5.2 : Household and similar electrical appliances – Safety-General Requirements.
-

Operational Safety This appliance is not intended for use by young children or infirm persons, unless they have been adequately supervised by a responsible person, to ensure that they can use the appliance safely.

Young children should be supervised, to ensure that they do not play with the appliance.

Improvements

AMBIENT CABINETS - SPARE PARTS

Ongoing Development FPG reserves the right to change specifications and construction, as part of ongoing product improvement.

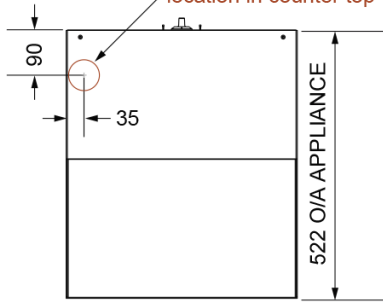
CUSTOM

MCDONALDS MEA
SQUARE CABINETS/AMBIENT

MECHANICAL DRAWINGS

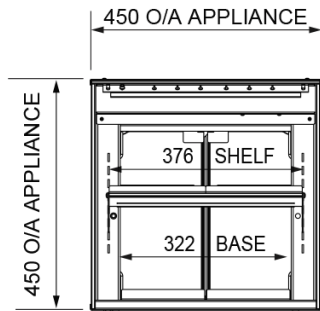
Model: IL-MD-450-AMB-A001

Ø 60 Cable entry hole
location in counter top

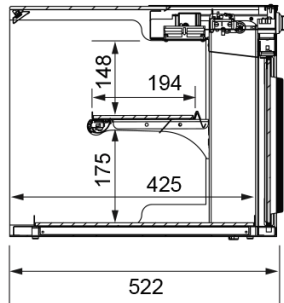


PLAN VIEW

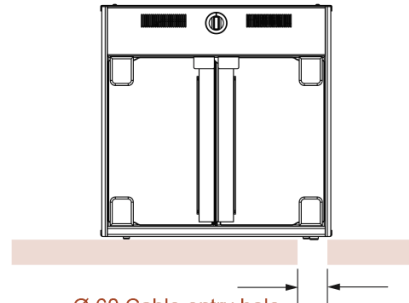
NOTE: Ø 60 Cable entry hole in counter top.
Hole edges to be rounded over or appropriate
commercial cable insert used to protect cable
against damage



FRONT ELEVATION



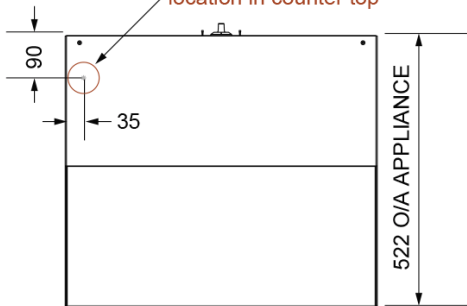
SECTION VIEW



REAR ELEVATION

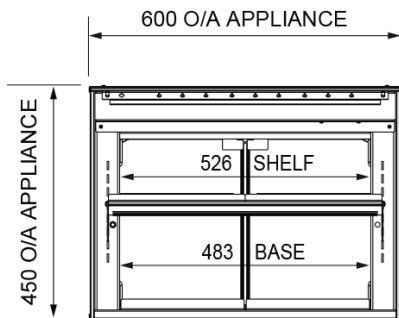
Model: IL-MD-600-AMB-A001

Ø 60 Cable entry hole
location in counter top

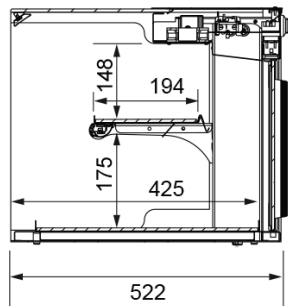


PLAN VIEW

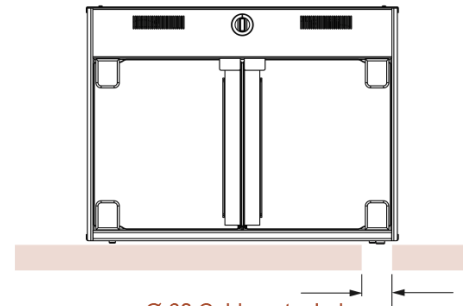
NOTE: Ø 60 Cable entry hole in counter top.
Hole edges to be rounded over or appropriate
commercial cable insert used to protect cable
against damage



FRONT ELEVATION



SECTION VIEW



REAR ELEVATION



*Revision History

| Revision Level | Date of Change | Change Details |
|----------------|----------------|--|
| I | 02/07/24 | Lights changed to Offspring, new circuit and spares. Elevations added. |
| | | |
| | | |
| | | |
| | | |
| | | |
| | | |

PRODUCT MANUAL 28740

REV 1 JUL 2024

In line with our policy to continually develop, improve and support our products, Future Products Group Ltd reserves the right to change specifications and design without notice.

Have a question? Please email us at: sales@fpgworld.com or visit www.fpgworld.com for full contact details for your region.

Worldwide
contact
details:

