

**MODELS**  
**IL-MD-450/600-AMB-SQ**

PRODUCT MANUAL 28740  
REV I JUL 2024



# CUSTOM

McDONALDS  
SQUARE CABINETS  
AMBIENT



WIDTHS: 450mm, 600mm  
FREESTANDING ON COUNTER  
SWING REAR DOORS

## Warnings

---

**Caution**

**Do not store explosive substances, such as aerosol cans with flammable propellant, in this appliance.**

---

**Mains Supply  
Cord**

**If the supply cord is damaged, it must be replaced by the manufacturer, its service agent or similarly qualified persons, in order to avoid a hazard.**

---

**Copyright © JUL 2024 Future Products Group Limited.  
All rights reserved.**

No part of this publication may be reproduced, stored in a retrieval system, or transmitted in any form or by any means, electronic, mechanical, photocopying, recording or otherwise, without the prior written permission of Future Products Group Ltd.

## Table of Contents

<b>WARNINGS</b> .....	<b>2</b>
Caution .....	2
Mains Supply Cord .....	2
<b>INTRODUCTION</b> .....	<b>5</b>
<b>Welcome</b> .....	<b>5</b>
Future Products Group (FPG) .....	5
Guidance and Help .....	5
<b>Warranty</b> .....	<b>5</b>
Warranty Period .....	5
Liability Exceptions .....	6
Specific Exclusions .....	6
Assessment .....	6
Time Limit .....	6
Caution .....	6
<b>OPERATION</b> .....	<b>7</b>
<b>Cabinet Layout</b> .....	<b>7</b>
Square Series Cabinets .....	7
Shelf Lighting .....	7
Shelves .....	7
<b>Preparation</b> .....	<b>7</b>
Shelf Location and Ticketing .....	7
Shelf Adjustment .....	7
<b>CLEANING</b> .....	<b>8</b>
<b>Cautions</b> .....	<b>8</b>
Power .....	8
Water .....	8
<b>Procedures</b> .....	<b>8</b>
McDonald's Standard Procedures .....	8
Removable Parts .....	8
Schedules .....	8

# CUSTOM

MCDONALDS  
SQUARE CABINETS/AMBIENT

<b>INSTALLATION .....</b>	<b>9</b>
<b>Regulations .....</b>	<b>9</b>
Compliance with Local Requirements .....	9
<b>Preparation of Location .....</b>	<b>9</b>
Cable Access.....	9
<b>Setting Up .....</b>	<b>10</b>
Unpacking.....	10
Cabinet Preparation.....	10
Shelf Trays .....	10
Loading Restrictions .....	10
Grounding .....	10
Power Supply .....	10
<b>SPECIFICATIONS.....</b>	<b>11</b>
<b>Mechanical .....</b>	<b>11</b>
<b>Electrical.....</b>	<b>11</b>
Circuit Diagram IL-MD-450&600-AMB .....	11
<b>SPARE PARTS .....</b>	<b>12</b>
Cabinet Serial Number .....	12
*Recommended Spare Parts to be carried by Service Provider .....	12
<b>Compliance .....</b>	<b>13</b>
Safety Aspects.....	13
Operational Safety.....	13
<b>Improvements .....</b>	<b>13</b>
Ongoing Development.....	13
<b>MECHANICAL DRAWINGS.....</b>	<b>14</b>
<b>*REVISION HISTORY .....</b>	<b>15</b>

## INTRODUCTION

### Welcome

AMBIENT CABINETS - INTRODUCTION

---

#### Future Products Group (FPG)

Welcome to the world of FPG! Our products are designed and engineered to give you the optimal performance that you deserve with innovative visual merchandising appeal.

We are confident that you will be delighted with your state of the art inline food service cabinet, and that it will become a valued appliance in your store.

---

#### Guidance and Help

Any new appliance can seem very complex and confusing at first glance. To ensure you receive the utmost benefit from your new inline cabinet, there are two things you can do.

- Before operating the cabinet, please read the instruction book carefully and follow its recommendations. The time taken will be well spent. These instructions both general and technical tell you how to install, operate and look after your inline food service cabinet so that you can receive the full benefits that this cabinet has to offer.
  - These instructions cannot, however, cover all eventualities. If you are unsure of any aspect of the installation, instructions or performance of your cabinet, contact your dealer promptly or contact us via email to [support@fpgworld.com](mailto:support@fpgworld.com).
- 

### Warranty

AMBIENT CABINETS - INTRODUCTION

---

#### Warranty Period

Future Products Group Limited warrants, to the original purchaser of an FPG manufactured food service cabinet, that for TWO YEARS (24 months) from the date of purchase, any defect in workmanship or material resulting in the product malfunctioning while under correct use will be rectified.

Liability under this warranty is limited to replacing or repairing a part, without charge.

---

*Continued on next page*

# CUSTOM

MCDONALDS

SQUARE CABINETS/AMBIENT

## Warranty cont.

AMBIENT CABINETS - INTRODUCTION

---

### Liability Exceptions

Liability under this warranty does not include:

- Any loss, damage, or expenses directly or indirectly arising from the use of, or inability to use, the product or from any other cause.
  - Any part of the cabinet which has been subject to misuse, neglect, alteration, incorrect installation, accident, or damage caused by transportation, use of abrasive or caustic chemicals, flood, fire or acts of God.
  - Any damage or malfunction, resulting from the use of non-FPG supplied spare parts.
- 

### Specific Exclusions

The following are specifically excluded from warranty:

- Breakage of glass or plastic components, or the replacement of LED lighting assemblies or gaskets.
  - Failure to re-assemble the cabinet correctly after cleaning.
  - Fair wear and tear.
- 

### Assessment

The liability under this warranty is dependent on an assessment by FPG, to determine the defect in workmanship or materials.

---

### Time Limit

FPG does not guarantee that any service to be performed under this warranty will be carried out within any particular time limit.

---

### Caution

**FPG will not be held responsible for any servicing costs incurred prior to FPG's acceptance of a warranty claim.**

---

## OPERATION

### Cabinet Layout

AMBIENT CABINETS - OPERATION

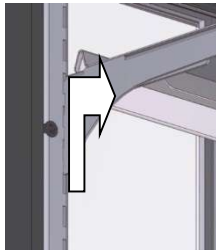
---

<b>Square Series Cabinets</b>	The cabinet has fixed front glass, and rear swing doors. It is designed to be free-standing on a counter top or table.
<hr/>	
<b>Shelf Lighting</b>	Cabinets are fitted with a top light and a light below the shelf. They are fitted with high efficiency LED lighting. The light switch is on the rear of the cabinet.
<hr/>	
<b>Shelves</b>	The shelves consist of stainless steel trays with black acrylic inserts. The front and rear edges of the shelf are profiled to carry ticketing/labels.
<hr/>	

### Preparation

AMBIENT CABINETS - OPERATION

---

<b>Shelf Location and Ticketing</b>	<p>The shelf position is adjustable in height and can easily be moved up or down, to match product size.</p> <p>The movement is restricted to 50mm, because of the electric cables to the lights. For greater movement contact the manufacturer or supplier for advice, as electrical modifications may be required.</p>
<hr/>	
<b>Shelf Adjustment</b>	<div style="display: flex; align-items: flex-start;">  <div> <p>To move the shelf brackets, first remove the shelf trays.</p> <p>Lift the brackets straight up firmly and then pull the brackets forward, to disengage them from the slots in the support posts. Insert the brackets into their new position, and push bracket down firmly.</p> <p>The brackets may be positioned to give two different degrees of slope to the shelf.</p> <p><b><i>N.B. Make sure brackets are pushed down as far as they can go. Failure to do this may result in shelf collapse, when loaded with product.</i></b></p> </div> </div>
<hr/>	

# CUSTOM

MCDONALDS  
SQUARE CABINETS/AMBIENT

## CLEANING

### Cautions

AMBIENT CABINETS - CLEANING

---

**Power**                      **ALWAYS TURN THE POWER SUPPLY OFF BEFORE CLEANING.**

---

**Water**                      THIS UNIT IS NOT WATERPROOF. DO NOT USE A WATER JET SPRAY TO CLEAN THE INTERIOR OR EXTERIOR OF THIS CABINET.

---

### Procedures

AMBIENT CABINETS - CLEANING

---

**McDonald's Standard Procedures**      McDonald's Planned Maintenance, PM cards, should be followed for all regular cleaning procedures.

---

**Removable Parts**      Shelf trays and acrylic inserts can be removed for cleaning with McD APSC. Stainless steel parts **only** may be cleaned in a dishwasher.

---

**Schedules**              To maintain optimum performance, regular cleaning schedules should be established, as specified in the McDonald's PM card.  
**Failure to carry out routine cleaning/servicing schedules will void the warranty on the refrigeration equipment.**

---

# INSTALLATION

## Regulations

AMBIENT CABINETS - INSTALLATION

### Compliance with Local Requirements

It is very important that your inline food cabinet is installed correctly and that the operation is correct before use. Installation must comply with local electrical, health & safety and hygiene requirements.

## Preparation of Location

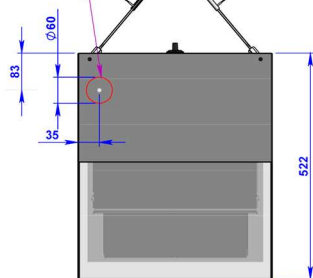
AMBIENT CABINETS - INSTALLATION

### Cable Access

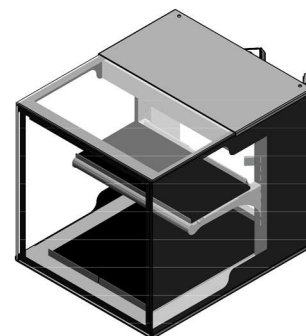
The cabinet is designed to sit low on a counter or other support surface. To prevent damage to the mains cable, a clearance hole must be provided.

**Note: Cable Entry Hole In Benchtop To Be 60mm Diameter. Hole Edges To Be Rounded Over Or Appropriate Commercial Cable Insert Used To Protect Cable Against Damage.**

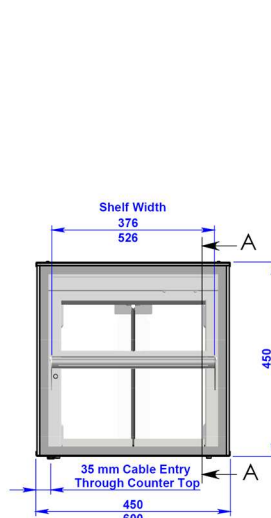
Cable Entry Hole Location



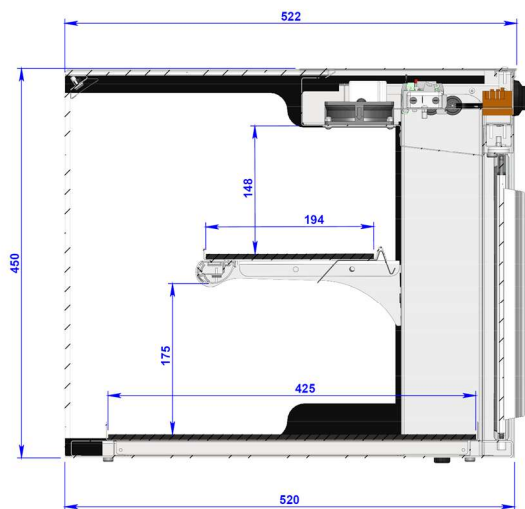
**PLAN**



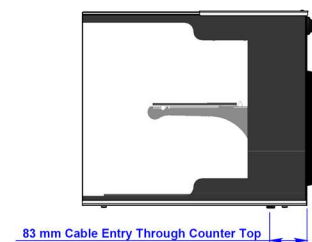
**PERSPECTIVE**



**FRONT ELEVATION**



**SECTION A-A**



**SIDE ELEVATION**

# CUSTOM

MCDONALDS

SQUARE CABINETS/AMBIENT

## Setting Up

AMBIENT CABINETS - INSTALLATION

---

**Unpacking**      Unpack and check unit for damage and report any damage to the carrier and supplier. Report any deficiencies to your supplier.

The display cabinet is supplied fully assembled, but shelf trays are packed separately.

---

**Cabinet Preparation**      Remove all protective plastic film, tapes, ties and packers, used to prevent movement during transit.

---

**Shelf Trays**      Remove the shelf trays from their packing and assemble them on the support members.

---

**Loading Restrictions**      The maximum loading on shelves must not exceed 25kg of evenly distributed products.

---

**Grounding**      **WARNING: THIS APPLIANCE MUST BE GROUNDED TO EARTH**  
The grounding lead, in the mains cable, must always be connected to earth.

---

**Power Supply**      Before connecting to the power supply, check that the local supply is correct to that shown on the rating plate, located on the rear of the cabinet.

---

# SPECIFICATIONS

## Mechanical

AMBIENT CABINETS - SPECIFICATIONS

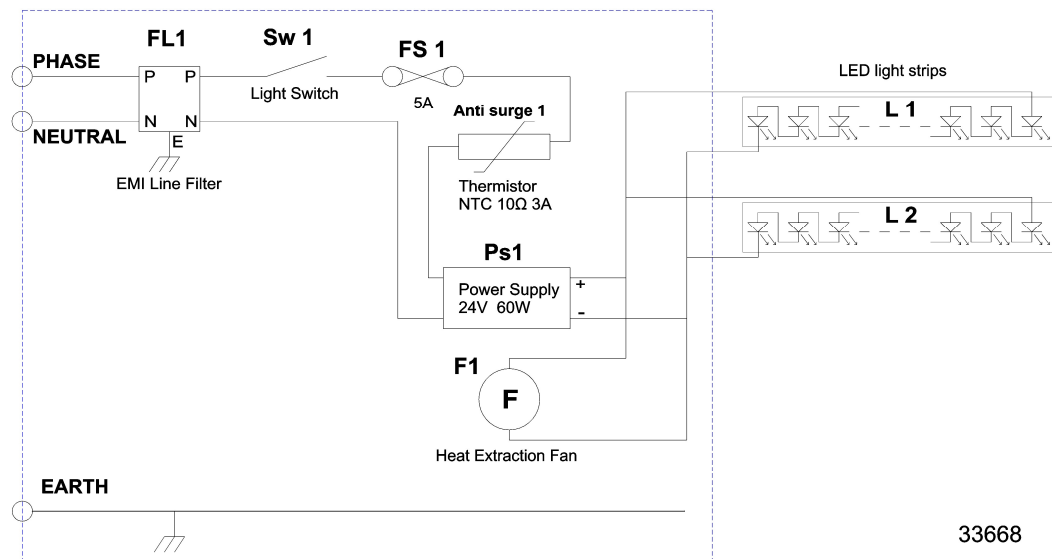
	<b>CABINET MODEL</b>	
	<b>IL-MD-450-AMB-SQ</b>	<b>IL-MD-600-AMB-SQ</b>
Height	450 mm	450 mm
Width	450 mm	600 mm
Depth	522 mm	522 mm
Dry Weight		
Cabinet Colour	Black and natural anodised aluminium.	
Top Lighting	Standard	Standard
Shelf Lighting	Standard	Standard
Glass Type	Toughened, single glazed	Toughened, single glazed
Front Doors	Fixed glass	Fixed glass
Rear Doors	Hinged/Swing glass	Hinged/Swing glass
Number of Shelves	One plus base	One plus base
Display Area	0.23 m <sup>2</sup>	0.33 m <sup>2</sup>
IP Rating	All cabinets have an IP 22 rating	

## Electrical

AMBIENT CABINETS - SPECIFICATIONS

	<b>CABINET MODEL</b>	
	<b>IL-MD-450-AMB-SQ</b>	<b>IL-MD-600-AMB-SQ</b>
Voltage	220 - 240 V 50/60 Hz 1 $\phi$	220 - 240 V 50/60 Hz 1 $\phi$
Power	12 W	15 W
Current	0.1 A	0.1 A
Connection	3 pin plug, 10 A lead	3 pin plug, 10 A lead
Top Lights	1 x LED strip	1 x LED strip
Shelf Lights	1 x LED strips	1 x LED strips

**Circuit Diagram**  
**IL-MD-450&600-AMB**



33668

## SPARE PARTS

### Cabinet Serial Number

When ordering spare parts, it is important to quote the Serial Number printed on the label fixed to the control panel. This will enable FPG to trace details of the build specification of your particular cabinet, and hence ensure that spare parts are fully compatible.

**To satisfy warranty conditions, and ensure optimum performance, use only FPG supplied spare parts.**

Part Description	FPG Part No.
Main & Light Switch, EGO*	14372
Fuse Link (5A, 250V, Slow Blow)*	13330
Knob (light switch)	14374
Ant-surge Thermistor 10 Ohm 3A*	22354
24V 60W LED power supply*	25473
Polycarbonate Shelf Light Cover (450 cabinet)	33639
Polycarbonate Shelf Light Cover (600 cabinet)	32907
Polycarbonate Top Light Cover, (450 cabinet)	29414
Polycarbonate Top Light Cover, (600 cabinet)	25222
Top Light Replacement Kit, (450 cabinet)	78751
Top Light Replacement Kit, (600 cabinet)	78756
Shelf Light Replacement Kit, (450 cabinet)	78749
Shelf Light Replacement Kit, (600 cabinet)	78753
80mm Axial Fan*	30171
<b><i>Handed parts are identified as viewed from the rear of the cabinet</i></b>	
LH/RH End Glass Kit*	75580
Front fixed glass, (450 cabinet)*	75581
Front fixed glass, (600 cabinet)*	75583
Top glass, (450 cabinet)*	75582
Top glass, (600 cabinet)*	75584
Rear Swing Door, (450 cabinet)*	74115
Rear Swing Door, (600 cabinet)*	74367
Slide-in rubber door seal	11424
Black Acrylic Base Tray (450 cabinet)	29417
Black Acrylic Shelf Tray (450 cabinet)	29418
Bamboo Base Tray (450 cabinet)	29590
Bamboo Shelf Tray (450 cabinet)	29591
Black Acrylic Base Tray (600 cabinet)	29639
Black Acrylic Shelf Tray (600 cabinet)	29641
Bamboo Base Tray (600 cabinet)	29045
Bamboo Shelf Tray (600 cabinet)	28655
Product Manual for Square Format Series Ambient Cabinets	28740

**\*Recommended Spare Parts to be carried by Service Provider**

## Compliance

AMBIENT CABINETS - SPARE PARTS

---

**Safety Aspects** This cabinet has been designed to comply with the relevant requirements of the following specifications:

- IEC 60335-1 Ed 5.2 : Household and similar electrical appliances – Safety-General Requirements.
- 

**Operational Safety** This appliance is not intended for use by young children or infirm persons, unless they have been adequately supervised by a responsible person, to ensure that they can use the appliance safely.

Young children should be supervised, to ensure that they do not play with the appliance.

---

## Improvements

AMBIENT CABINETS - SPARE PARTS

---

**Ongoing Development** FPG reserves the right to change specifications and construction, as part of ongoing product improvement.

---

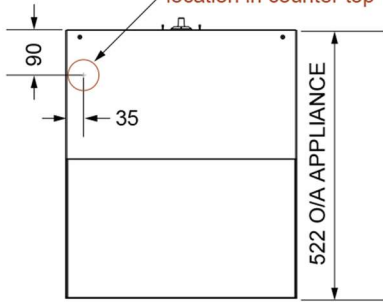
# CUSTOM

MCDONALDS  
SQUARE CABINETS/AMBIENT

## MECHANICAL DRAWINGS

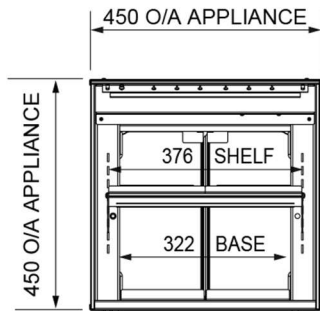
**Model: IL-MD-450-AMB-A001**

Ø 60 Cable entry hole  
location in counter top

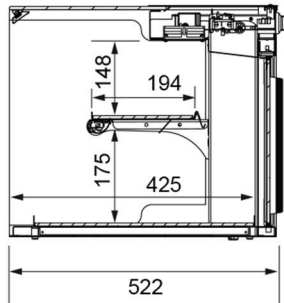


PLAN VIEW

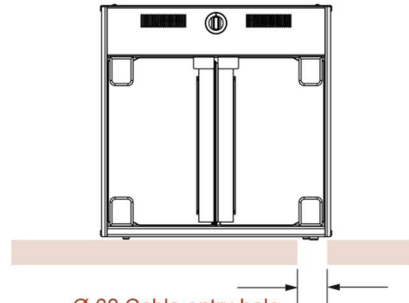
NOTE: Ø 60 Cable entry hole in counter top.  
Hole edges to be rounded over or appropriate  
commercial cable insert used to protect cable  
against damage



FRONT ELEVATION



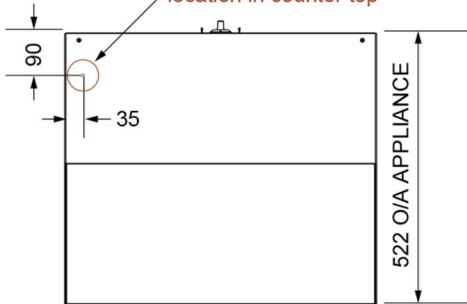
SECTION VIEW



REAR ELEVATION

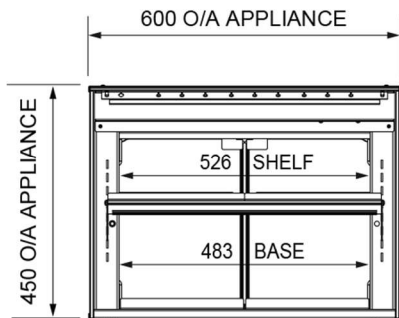
**Model: IL-MD-600-AMB-A001**

Ø 60 Cable entry hole  
location in counter top

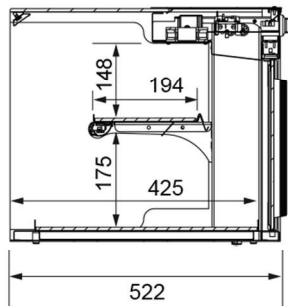


PLAN VIEW

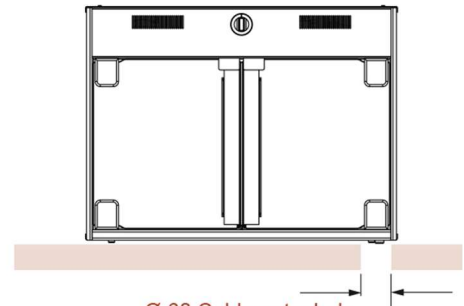
NOTE: Ø 60 Cable entry hole in counter top.  
Hole edges to be rounded over or appropriate  
commercial cable insert used to protect cable  
against damage



FRONT ELEVATION



SECTION VIEW



REAR ELEVATION



### \*Revision History

Revision Level	Date of Change	Change Details
I	02/07/24	Lights changed to Offspring, new circuit and spares. Elevations added.

# PRODUCT MANUAL 28740

REV 1 JUL 2024

In line with our policy to continually develop, improve and support our products, Future Products Group Ltd reserves the right to change specifications and design without notice.

Have a question? Please email us at: [sales@fpgworld.com](mailto:sales@fpgworld.com) or visit [www.fpgworld.com](http://www.fpgworld.com) for full contact details for your region.

