



VISAIR - OPEN FRONT HEATED 1200mm STANDARD HEIGHT CABINET, WITH TWO SHELVES

MODELS

- IN-VH12-A001 | Visair open front heated 1200mm standard height cabinet, with two shelves

OPTIONS [F=Factory Fitted]

- Buffer rails (F)
- Roller castors (F)
- Custom colour or branding (F)

ACCESSORIES [A=Accessory]

- Magazine racks (A)
- Split trays to shelf [per shelf]*
*Cabinet comes standard with 1x full width tray per shelf

OVERVIEW

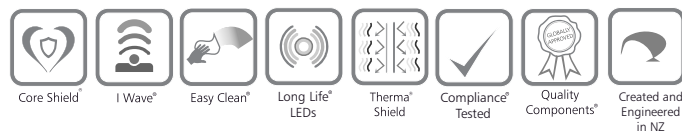
The Visair heated open front merchandiser has been created for busy supermarkets, C-stores and food service outlets that require high capacity heated products displayed at their best. Have peace of mind knowing that your food is consistently safeguarded at core temperature with product freshness and look ensured using new I Wave technology (gentle infrared heating). The infrared technology means lowest possible operation costs and double the presentation time of your heated product...guaranteed.

FEATURES

- High energy efficiency - 1.75 kWh per hour average
- Low wattage infrared elements for even temperature distribution
- Double glazed side panels for maximum insulation
- Two shelves and base to give three display levels
- Designed to be free standing
- Electronic controller to help maintain high efficiency
- LED light in cabinet top - and additional LED lighting to each shelf. LED's have 25,000 hour life span



KEY SELLING FEATURES



SHOWING : VISAIR OPEN FRONT HEATED 1200mm STANDARD HEIGHT CABINET, WITH TWO SHELVES. OPTIONAL SPLIT TRAYS TO SHELVES. CABINET COMES STANDARD WITH ONE FULL WIDTH TRAY PER SHELF.

IN-VH12-A001	CLIMATE CLASS	N max 32°C / 70% RH	TEMPERATURE RANGE	+30°C-+85°C
--------------	---------------	---------------------	-------------------	-------------

Designed to meet and exceed the following compliances and approvals : NSF, EN 55014, EN55014-1, EN 55014-2, EN 61000, EN 61000-3-2, EN 61000-3-3, IEC 60335, IEC 60335-1, IEC 60335-2-49.



VIEW ONLINE AT FPGWORLD.COM



VISAIR - OPEN FRONT HEATED 1200mm STANDARD HEIGHT CABINET, WITH TWO SHELVES

SPECIFICATIONS

Heated Data

	CLIMATE CLASS	CORE PRODUCT - TEMP RANGE	HEATING
IN-VH12-A001	N max 32°C / 70% RH	+30°C - +85°C	Low wattage infrared elements

Electrical Data

	VOLTAGE	PHASE	CURRENT	kWh per hour [average]	MAINS CONNECTION	MAINS CONNECTION PLUG	IP RATING	LED LIGHTING
IN-VH12-A001	220-240 V	Single	11.4 A	1.75 kWh per hour	3 metre 3 core cable	15 amp, 3 pin plug	IP 22	25,000 hr LED

Display

	DISPLAY AREA	NO. OF SHELVES	ACCESS - FRONT	ACCESS - REAR	DOOR OPENINGS	CONSTRUCTION
IN-VH12-A001	1.5m ²	2 + Base	Open front	N/A	N/A	304 Stainless Steel

Dimensions [Uncrated and Crated]

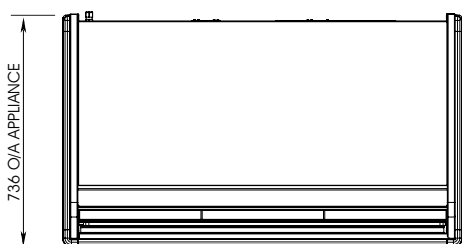
	H x W x D mm [Uncrated]	MASS [Uncrated]	H x W x D mm [Crated]	MASS [Crated]	CUBIC VOLUME [Crated]
IN-VH12-A001	1481 x 1267 x 736	190 kg	1595 x 1320 x 800	290 kg	1.68m ³

Installation note:

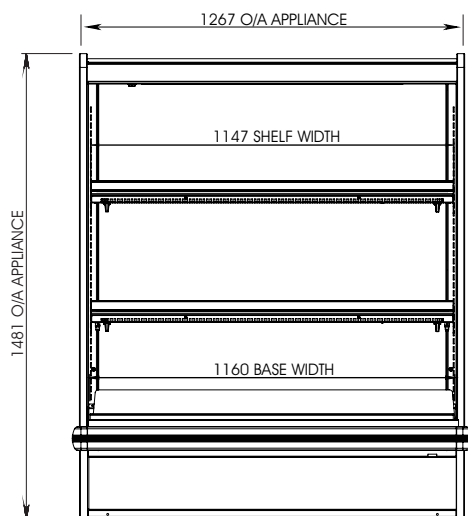
Unobstructed airflow must be maintained to ensure unit performance and maintain warranty

In line with policy to continually develop and improve it's products, Future Products Group reserves the right to change specifications and design without notice.

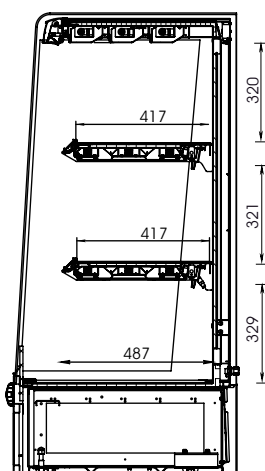
For more information and technical data, including installation documents refer to the website - www.fpgworld.com



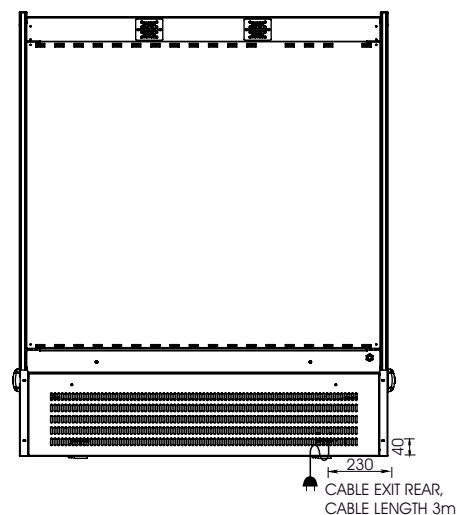
PLAN VIEW



FRONT ELEVATION



SECTION VIEW



REAR ELEVATION